

# ATLAS KOMPAKT

## Excavator AC 18UB



Operating Weight	1.88 t (rubber track)
Engine Power	14.7 kW/2200 rpm
Engine Brand	PERKINS
Standard Bucket Capacity	0.04 m <sup>3</sup>
Max. Digging Depth	2.20 m

### Excavator AC 18UB

#### Parameter

##### ENGINE

Brand	PERKINS
Model	403D-11
Type	3-cylinder water-cooled indirect injection
Displacement	1.1 L
Power	14.7 kW/2200 rpm

##### DIMENSIONS

Counterweight Clearance	436 mm
Tail Swing Radius	680 mm
Shipping Length	3582 mm
Shipping Width	990 mm
Shipping Height	2415 mm

##### ELECTRIC SYSTEM

Nominal Voltage	12 V
Batteries	60 Ah
Alternator	12 V-40 A
Starter	12 V-1.4 kW

##### WORKING RANGES

Max. Cutting Height	3458 mm
Max. Loading Height	2431 mm
Max. Digging Depth	2206 mm
Max. Vertical Wall Digging Depth	1590 mm
Max. Digging Reach	3942 mm
Max. Reach at Ground Level	3848 mm
Bucket Digging Force	22.7 kN
Stick Digging Force	11.24 kN
Ground Pressure	30.3 kPa
Swing Speed	10 rpm

##### DRIVE

Max. Travel Speed (2nd/1st)	3.5/2.0 km/h
Gradeability	30°
Max. Traction	16.7 kN

##### UNDERCARRIAGE

Undercarriage Width	990/1320 mm
Shoe Width	230 mm
Length to Center of Rollers	1210 mm
Track Length	1538 mm
Track Height	352 mm

##### CAPACITY

Fuel Tank	21 L
Hydraulic Oil Tank	17 L

##### BULLDOZING BOARD

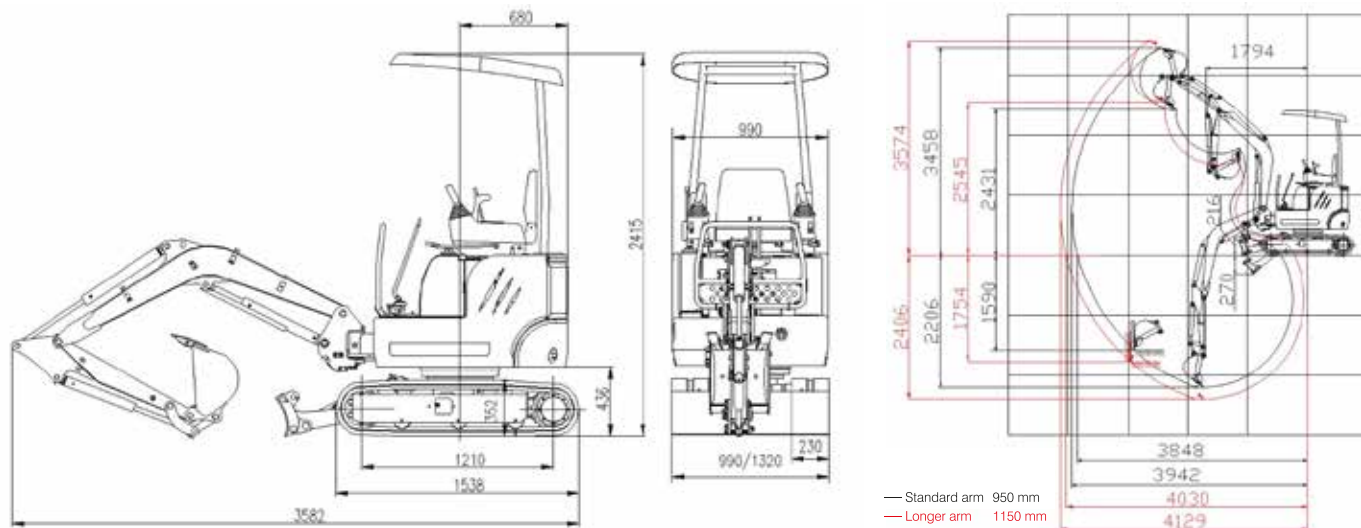
independent moving, controlled by the gear shift lever	
Length X Width	1320X267 mm
Max. Lifting Height	216 mm
Max. Cutting Depth	270 mm

##### HYDRAULIC SYSTEM

Main Pumps	
Type	2 variable displacement pumps, 1 gear pump
Displacement	2x21 + 15 L/min
Working Pressure	20/18 MPa

# Excavator AC 18UB

## Working Ranges



## Load Capacity (standard arm: 0.95 m)

B(m)	A(m)	MAX		3.0 m		2.5 m		2.0 m	
		Front(kg)	Side(kg)	Front(kg)	Side(kg)	Front(kg)	Side(kg)	Front(kg)	Side(kg)
2.5		220.10*	224.90*	205.80*	215.40*	—	—	—	—
2.0		220.10*	224.90*	220.10*	224.90*	244.10*	244.10*	—	—
1.5		239.30*	234.50*	244.10*	239.30*	263.20*	258.40*	335.00*	335.00*
1.0		229.70*	234.50*	244.10*	248.90*	272.80*	296.70*	368.50*	406.80*
0.5		234.50*	239.30*	272.80*	272.80*	349.40*	349.40*	473.80*	464.20*
0.0		258.40*	258.40*	268.00*	277.60*	325.40*	354.10*	449.90*	469.00*
-0.5		263.20*	258.40*	263.20*	258.40*	325.40*	315.90*	469.00*	449.90*
-1.0		253.60*	253.60*	—	—	272.80*	263.20*	368.50*	358.90*

## Notes:

- 1) Load with \* is limited by hydraulic capacity and based on ISO 10567. Rated loads do not exceed 87% of hydraulic capacity.
- 2) Load without \* is limited by tipping load and based on ISO 10567. Rated loads do not exceed 75% of tipping load.

**ATLAS KOMPAKT GMBH**  
 Stedinger Straße 324  
 27751 Delmenhorst  
 Germany  
[WWW.ATLAS-KOMPAKT.COM](http://WWW.ATLAS-KOMPAKT.COM)

