

ATLAS KOMPAKT

Excavator AC 25B



Operating Weight	2.58t
Engine Power	15.5kW/2200rpm
Engine Brand	YANMAR
Standard Bucket Capacity	0.066m ³
Max. Digging Depth	2.38m

Excavator AC 25B

Parameter

ENGINE

Brand	YANMAR
Model	3TNV82A
Type	3-cylinder 4-stroke water cooled
Displacement	1.33L
Power	15.5kW/2200rpm

DIMENSIONS

Counterweight Clearance	546mm
Tail Swing Radius	1050mm
Shipping Length	4220mm
Transport Width	1400mm
Shipping Height	2400mm

ELECTRIC SYSTEM

Nominal Voltage	12V
Batteries	63Ah
Alternator	12V-40A
Starter	12V-1.7kW

WORKING RANGES

Max. Cutting Height	4018mm
Max. Loading Height	2812mm
Max. Digging Depth	2375mm
Max. Vertical Wall Digging Depth	1533mm
Max. Digging Reach	4463mm
Max. Reach at Ground Level	4317mm
Bucket Digging Force	20.8kN
Stick Digging Force	13kN
Ground Pressure	36kPa
Swing Speed	9rpm

DRIVE

Max. Travel Speed (2nd/1st)	4.1/2.7km/h
Gradeability	30°
Max. Traction	19kN

UNDERCARRIAGE

Undercarriage Width	1400mm
Shoe Width	250mm
Length to Center of Rollers	1430mm
Track Length	1856mm
Track Height	473mm

CAPACITY

Fuel Tank	42.5L
Hydraulic Oil Tank	30L

BULLDOZING BOARD

independent moving, controlled by the gear shift lever	
Length X Width	1400X324mm
Max. Lifting Height	270mm
Max. Cutting Depth	310mm

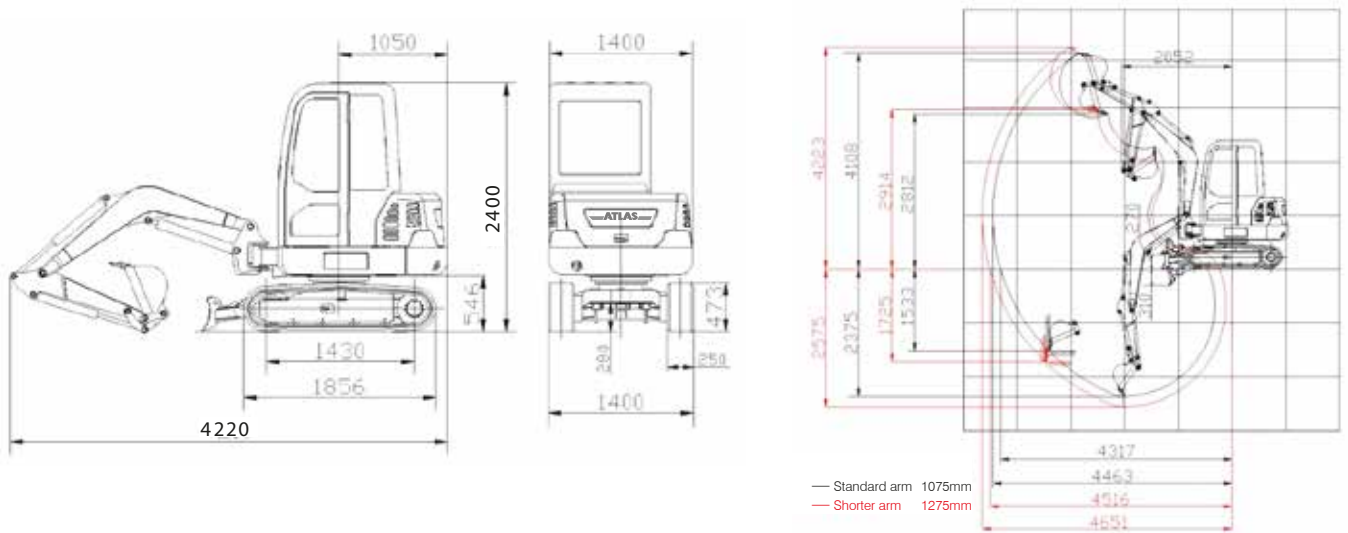
HYDRAULIC SYSTEM

Main Pumps	
Type	2 variable displacement pumps, 1 gear pump
Displacement	2x29+21L/min
Working Pressure	24.5/20.5MPa

Excavator

AC 25B

Working Ranges



Load Capacity

A(m) \ B(m)	MAX		3.5m		3.0m		2.5m		2.0m	
	Front(kg)	Side(kg)	Front(kg)	Side(kg)	Front(kg)	Side(kg)	Front(kg)	Side(kg)	Front(kg)	Side(kg)
3.0	469.00*	404.30	—	—	469.00*	404.30	—	—	—	—
2.5	497.70*	350.70	—	—	512.10*	424.90	—	—	—	—
2.0	536.00*	313.50	550.40*	445.60	536.00*	424.90	670.00*	515.70	—	—
1.5	540.80*	288.80	564.70*	440.10	612.60*	420.80	813.60*	528.10	—	—
1.0	555.10*	280.50	583.90*	429.10	703.50*	396.10	875.80*	503.30	—	—
0.5	574.30*	276.40	617.40*	407.10	703.50*	371.30	961.90*	470.30	—	—
0.0	612.60*	276.40	650.90*	396.10	813.60*	358.90	947.60*	449.70	1292.20*	598.20
-0.5	650.90*	309.40	—	—	756.10*	367.20	861.40*	474.40	1196.40*	577.60
-1.0	679.60*	363.10	—	—	679.60*	375.40	823.10*	466.20	1005.00*	573.50

Notes:

- 1) Load with * is limited by hydraulic capacity and based on ISO 10567. Rated loads do not exceed 87% of hydraulic capacity.
- 2) Load without * is limited by tipping load and based on ISO 10567. Rated loads do not exceed 75% of tipping load.

ATLAS KOMPAKT GMBH
Stedinger Straße 324
27751 Delmenhorst
Germany
WWW. ATLAS-KOMPACT.COM

